

6500-6502  
6500A-6502A

## REACTION TORQUE METERS

Non-rotating torque meters with hexagonal head.



Model 6500 - 20 N·m / 6500A - 300 N·m



### Features

- o 6500-6502: cable output with radial cable gland
- o 6500A-6502A: cable output with axial cable gland
- o Compact design, easy to install
- o 6500(A)-6502(A): mechanical fastening with threaded holes (see drawing)
- o Protection class: IP54
- o Material: - stainless steel (6500 / 6500A)  
- anodised aluminium alloy (6502 / 6502A)
- o Cable length: see drawing table - CL (other lengths available on request)

### Most popular options



Ex i



**Application(s)** SENSY's torque meters 6500-6502 / 6500A-6502A are perfectly designed for the following applications:

- Calibration of industrial torque wrench with torque control,
- Servo control or torque limitation in industrial process.

### Capacities

6502 / 6502A: 2 - 5 N·m

6500 / 6500A: 2 - 5 - 10 - 20 - 50 - 100 - 200 - 300 - 500 - 750 N·m

Specifications	0.25 %	
Combined error (non-linearity + hysteresis)	<± 0.25	% F.S.*
Repeatability error	<± 0.1	% F.S.*
Creep error over 30 min.	<± 0.1	% F.S.*
Reference temperature	23	°C
Compensated temperature range	-10...+45	°C
Service temperature range	-30...+70	°C
Storage temperature range	-50...+85	°C
Temperature coefficient of the sensitivity	<± 0.05	% F.S.* / 10°C
Temperature coefficient of zero signal	<± 0.035	% F.S.* / 10°C
Zero balance	± 0.02	mV/V
Nominal sensitivity	1.5	mV/V
Sensitivity tolerance	<± 0.3	%
Input resistance	350 ± 2	ohm(s)
Output resistance	350 ± 2	ohm(s)
Insulation resistance (50 V)	> 5000	Mohm(s)
Reference excitation voltage	10	VDC
Permissible nominal range of excitation voltage	3...12	VDC
Safe load limit	120	% F.S.*
Breaking load	>300	% F.S.*
Permissible dynamic loading	40	% F.S.*
Static lateral force limit	10	% F.S.*

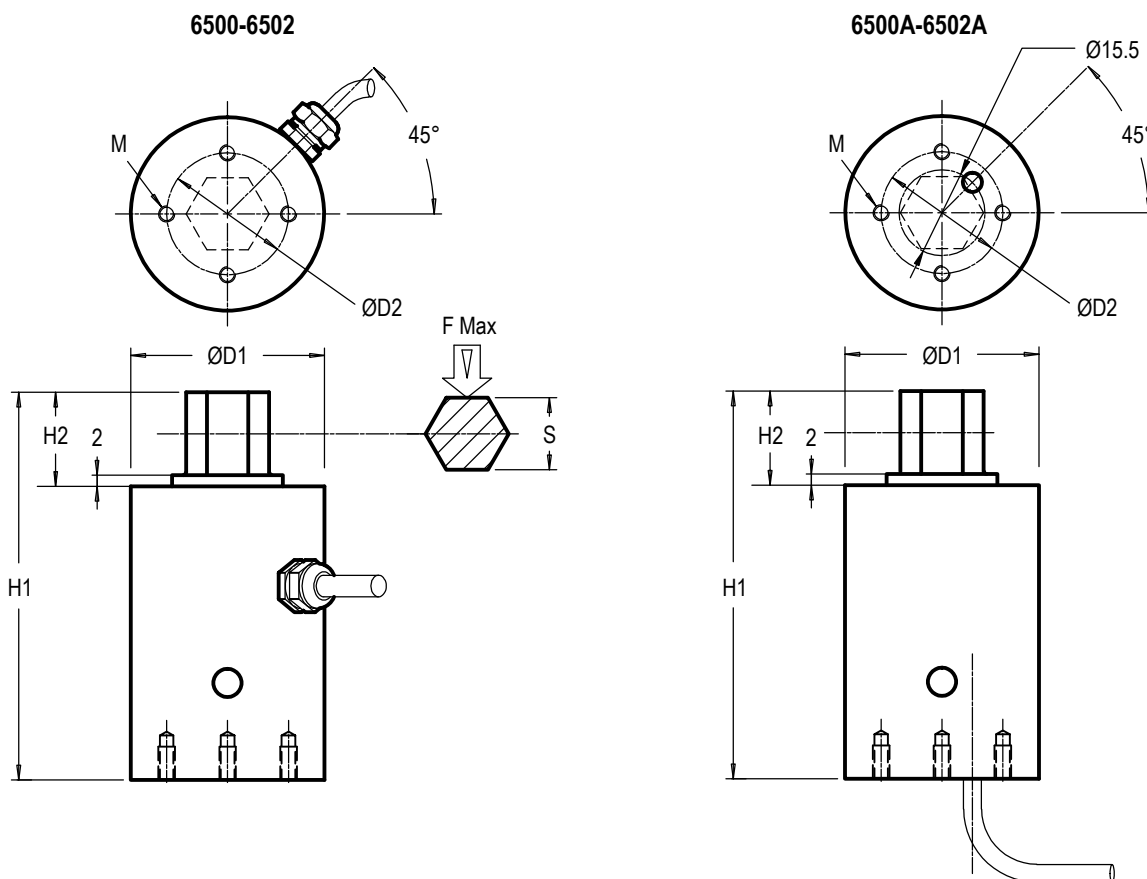
\* F.S. : Full Scale.

Specifications subject to change without notice.



ISO 9001 certified

6500-6502 / 6500A-6502A > STANDARD DIMENSIONS



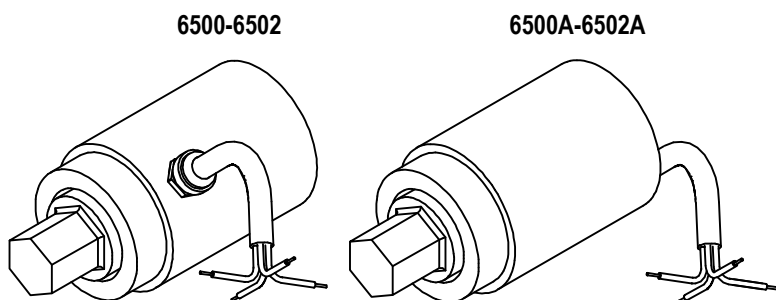
Ref. Item*	Capacities	H1	H2	ØD1	M	ØD2	S	F (N)	CL (m)
650x-A / 650xA-A	2 - 20 N·m	70	15	35	4 x M3	22	13	40 - 80	0.5
6500-B / 6500A-B	50 - 300 N·m	70	15	54	4 x M6	38	24	200 - 1300	1.5
6500-C / 6500A-C	500 - 750 N·m	85	17	62	6 x M8	48	24	1600 - 2200	3

\*Material : 6500 / 6500A : stainless steel; 6502 / 6502A : aluminium

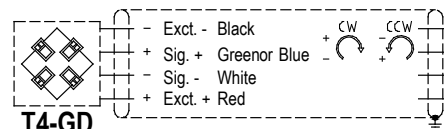
→ Other capacities and dimensions available on request

Dimensions in mm

Other views



Wiring



Standard: Cable screen not connected to the transducer

Load direction

